

www.watertight-hatch.ucalsa.nl

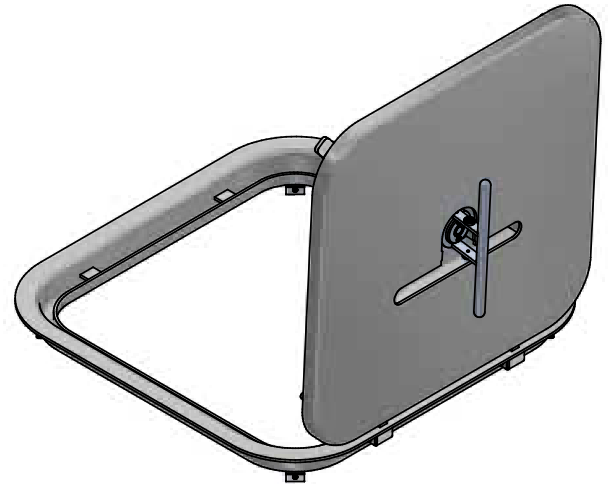


Hatches
with marking CE

UCALSA

Custom metal solutions

Hatches with marking CE



Purpose

Hatches for leisure boats, professional vessels and other sectors such as wind power

Characteristics

Custom built hatches according to CE standards.

Materials

Steel
Stainless steel
Aluminium

Lock System

Individual latches
Closure with centralized latches
Hydraulic closing

Accessories

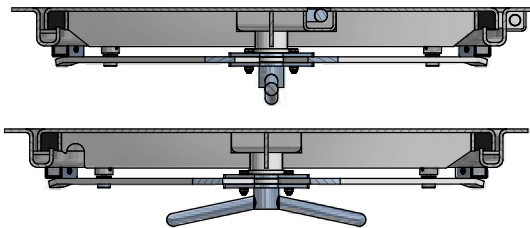
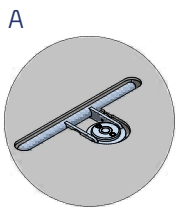
Different types of insulation
Fireproof / intumescent gaskets
Inside / outside hinges
Teak / mortar finish
Non-slip paint
Ask for more options

Technical specification

Hatches with marking CE

1	Dimensions	465x400 mm	-	-
2	Frame material	Aluminium 6082T4	-	-
3	Coaming profile	L Bar	Flat Bar	Flush
4	Door leaf material	Aluminium 5083H111	-	-
5	Opening mechanism material	Stainless Steel	-	-
6	Hinges qty	2	-	-
7	Insulation	None	Rockwool	-
8	Surface treatment	Painting	-	-

Details:



Opening Dimensions

