

www.fire-rated-door.ucalsa.nl



A0 Watertight doors

UCALSA

Custom metal solutions

AO

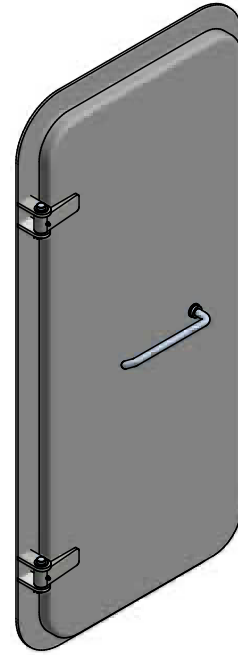
Watertight, Weathertight and Spraytight doors.

Purpose

The AO watertight doors are suitable to withstand AO fire requirements, available in different configurations.

Watertight doors are suitable for installation in watertight compartments with up to 4,5m internal pressure.

MED certified by DNV-GL.
Structural certification available upon request.



Characteristics

Watertight, Weathertight or Spraytight doors, rated AO.
Maximum size according to our certificates is:
CO (Clear Opening) = 800 x 1850mm (width x height).

Lock System

Closure latches centralized in a single lever.

Materials

Stainless steel
Inox
EPDM

Accessories

Porthole
Window
Lock
Double leaf

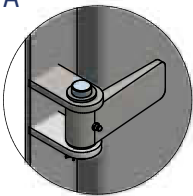
Technical specification

A0

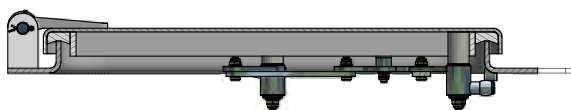
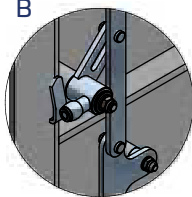
1	Max. Dimensions	800x1850 mm	-
2	Coaming material	Steel	Stainless Steel
3	Coaming profile	"L" Bar Profile	-
4	Door leaf material	Steel	Stainless Steel
5	Opening mechanism material	Stainless Steel	-
6	Hinges qty	2	-
7	Insulation	Rockwool	-
8	Surface treatment	Painting	Sandblasting + primer coating
9	Window	Window	Porthole

Details:

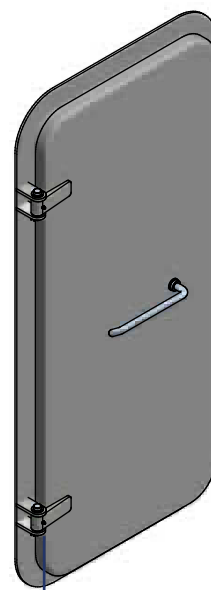
A



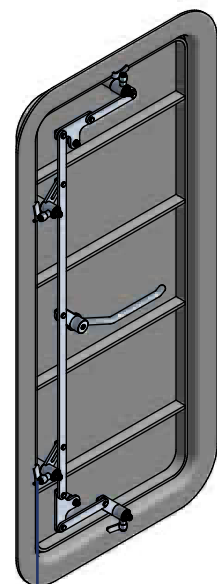
B



Door with "L" profile frame



A

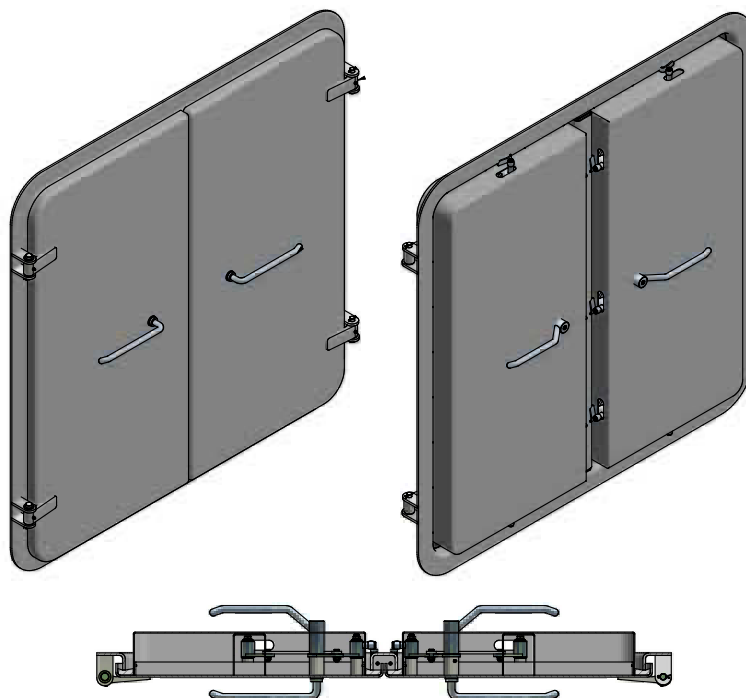


B

Technical specification

Double leaf door A0

1	Max. Dimensions	900x1850 mm	-
2	Coaming material	Steel	Stainless Steel
3	Coaming profile	"L" Bar Profile	-
4	Door leaf material	Steel	Stainless Steel
5	Opening mechanism material	Stainless Steel	-
6	Hinges qty	2	-
7	Insulation	Rockwool	-
8	Surface treatment	Painting	Sandblasting + primer coating
9	Window	Window	Porthole



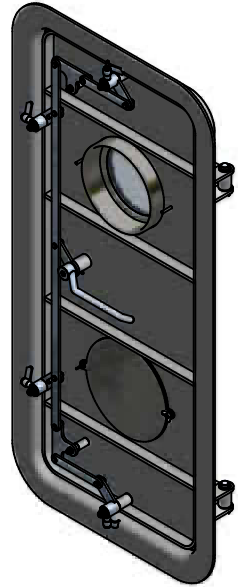
Accessories

AO

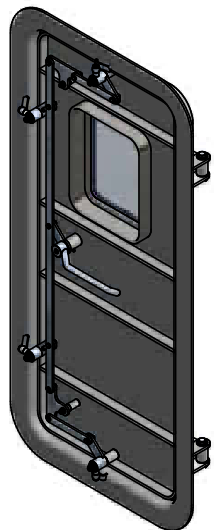
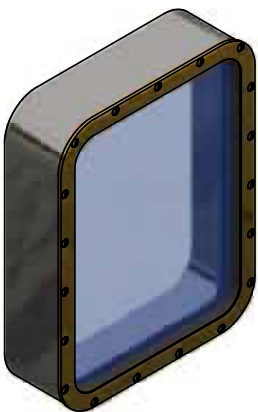
Welded Porthole



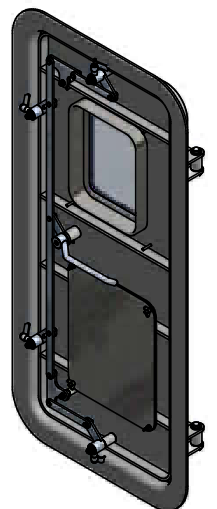
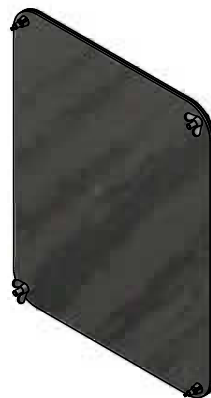
Porthole Cover



Welded Window



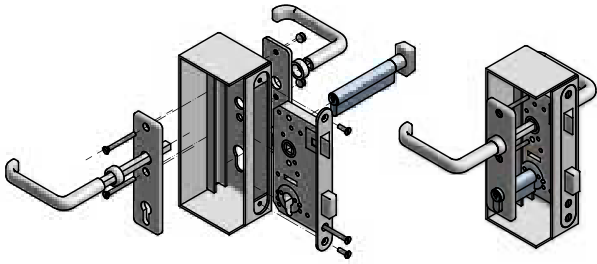
Window Cover



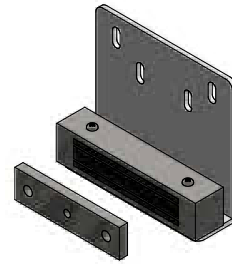
Accessories

A0

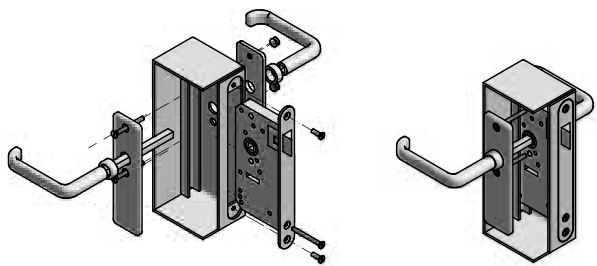
Lock With Cylinder And Handle From Both Sides



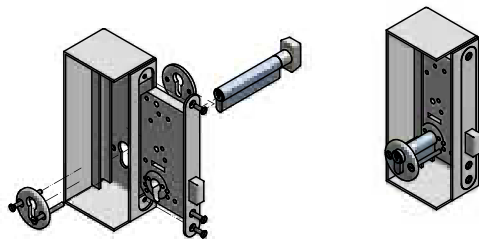
Magnetic Lock



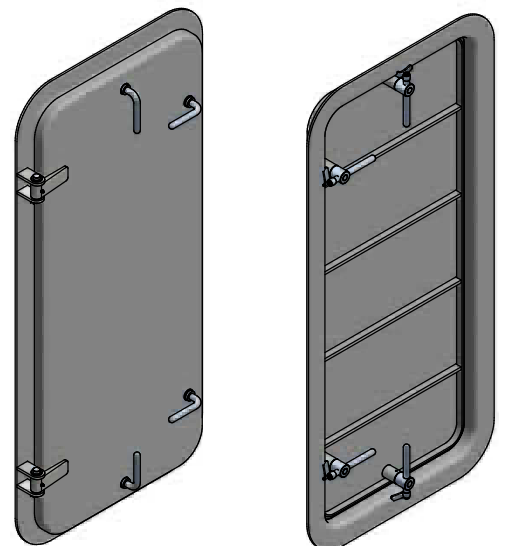
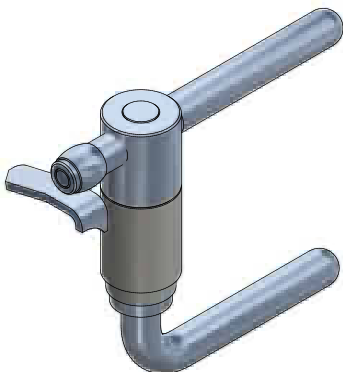
Lock With Handle From Both Sides Without Cylinder



Lock With Cylinder

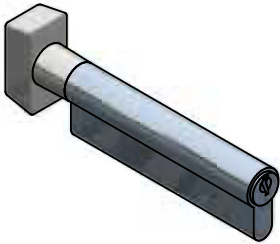


Single Toggle

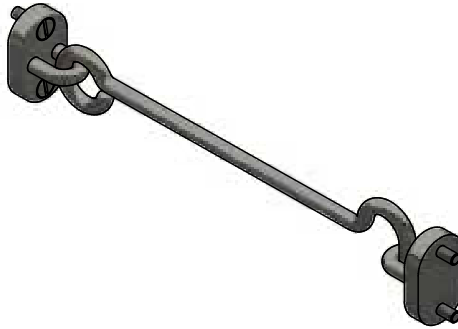


Accessories AO

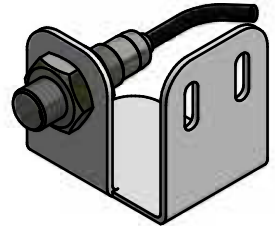
Cylinder



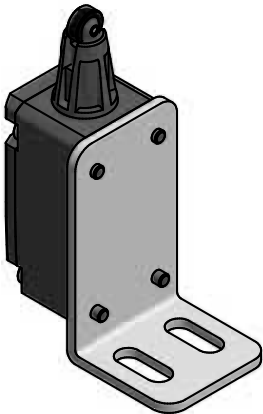
Door Hook Sp



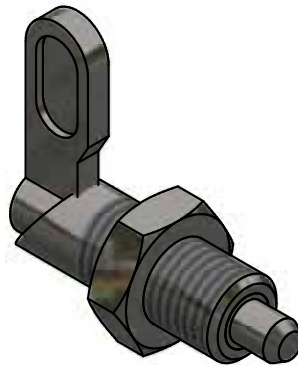
Open/Close Inductive Sensor



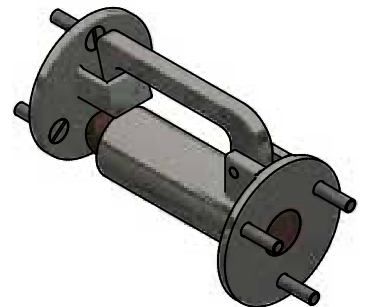
Open/Close Contact Sensor



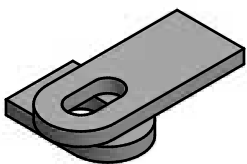
Inner Manual Lockpin



Door Hook Sw



Padlock Bracket



Door Closer

